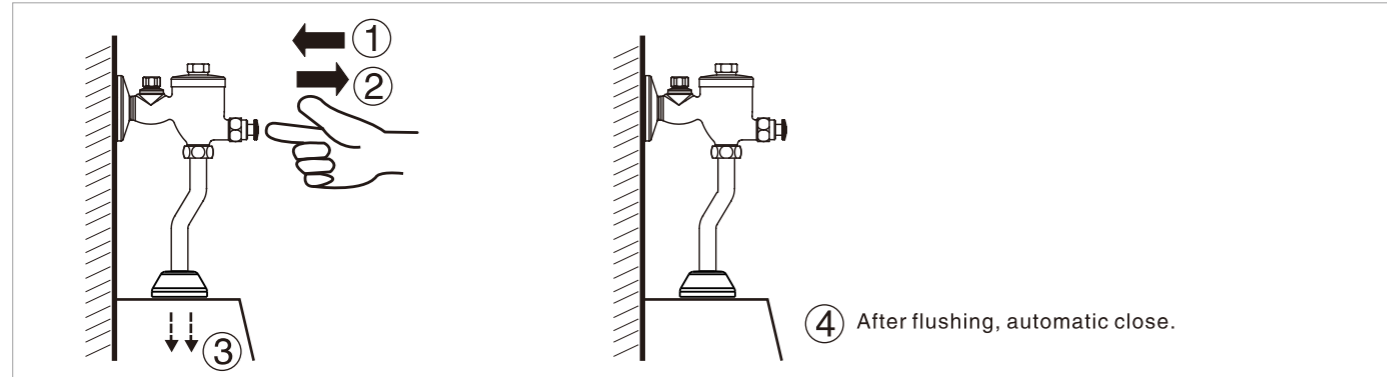


Test / Usage

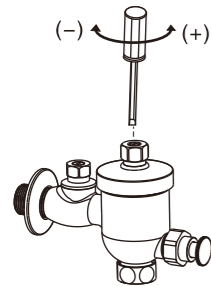
1 Test

- * Open water supply valve to check all connections for leakage;
- * Turn handle to "ON" position. Check the water flow .

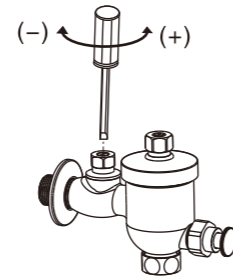
2 Usage



3 Flush Volume Adjust (0.5L ~ 3L)



4 Stop Valve Adjust

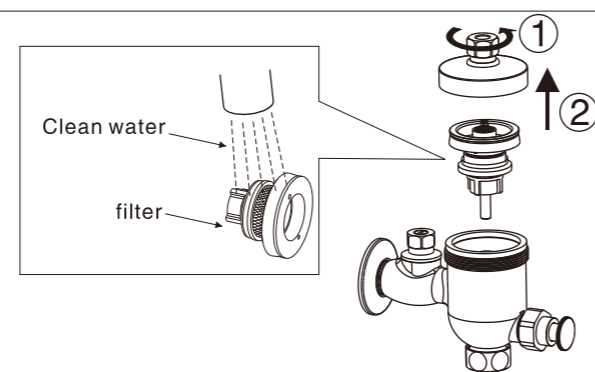


Trouble Shooting Guide

Issue	Checkpoint	Corrective Action
Press the button, but not out of the water	Stop valve close	Open the stop valve
Low Water Flow	Check the stop valve is fully opened	Open the stop valve fully
	Check the filter is blocked	Clean the filter
	Water pressure is too low	Contact the water supply department

Care & Maintenance

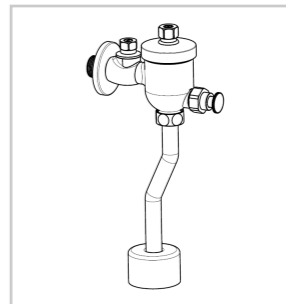
- * if you need maintenance the parts, please refer to the picture below to take out parts, maintenance and put back in.
- * before the maintenance, please turn off the water supply.



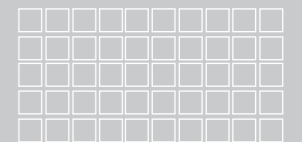
Attention:
Please leave manual with customer post installation.

FFAS9802-009500BF0

Manual Urinal Flush Valve
with Volume adjustment



American Standard



Installation & Operation Instructions

Thank you for selecting American-Standard - the benchmark of fine quality for over 100 years.
To ensure that your installation proceeds smoothly--please read these instructions carefully before you begin.

- * American Standard continually improves our product design and performance and reserves the right to modify the dimension and specification of our products accordingly without any prior notification.
- * This installation instruction sheet is for your reference only, the dimension and specification is subject to the actual products.

Pre-Installation Checks

- * All instruction procedures must comply in strict accordance with applicable local plumbing and building codes
- * Remove all impurity in pipes before beginning to avoid clogging.
- * Check installation distances in the Dimension diagram to ensure correct installation.

Conditions for use

- * Water pressure condition(Dynamic water pressure): 0.05~0.75MPa (Recommended water pressure condition: 0.1~0.5Mpa)
- * Environment Temperature: 1~55°C
- * water temperature: 1~45°C
- * The cold and hot water pipes must not be reserved, Steam and sea-water is not allowed to use.

Recommended Tools and Materials



Adjustable Wrench



Screwdriver



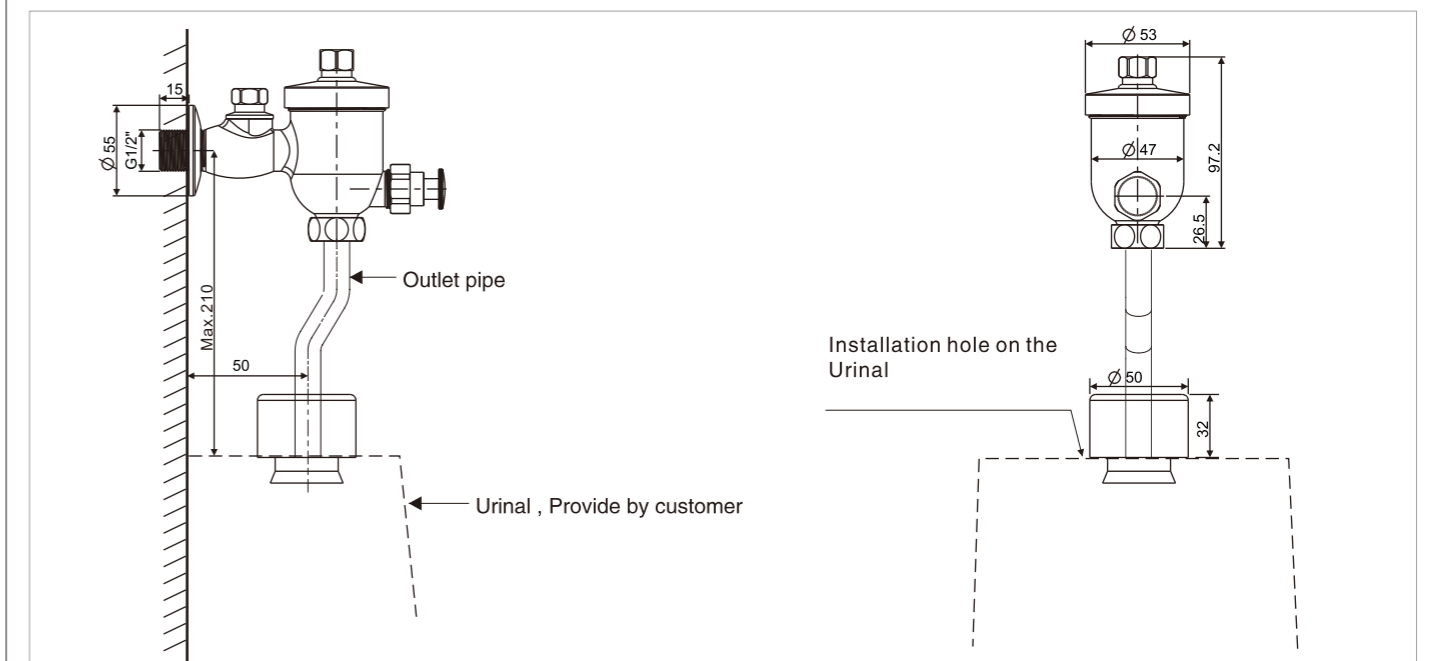
Tape Measure



Teflon Tape

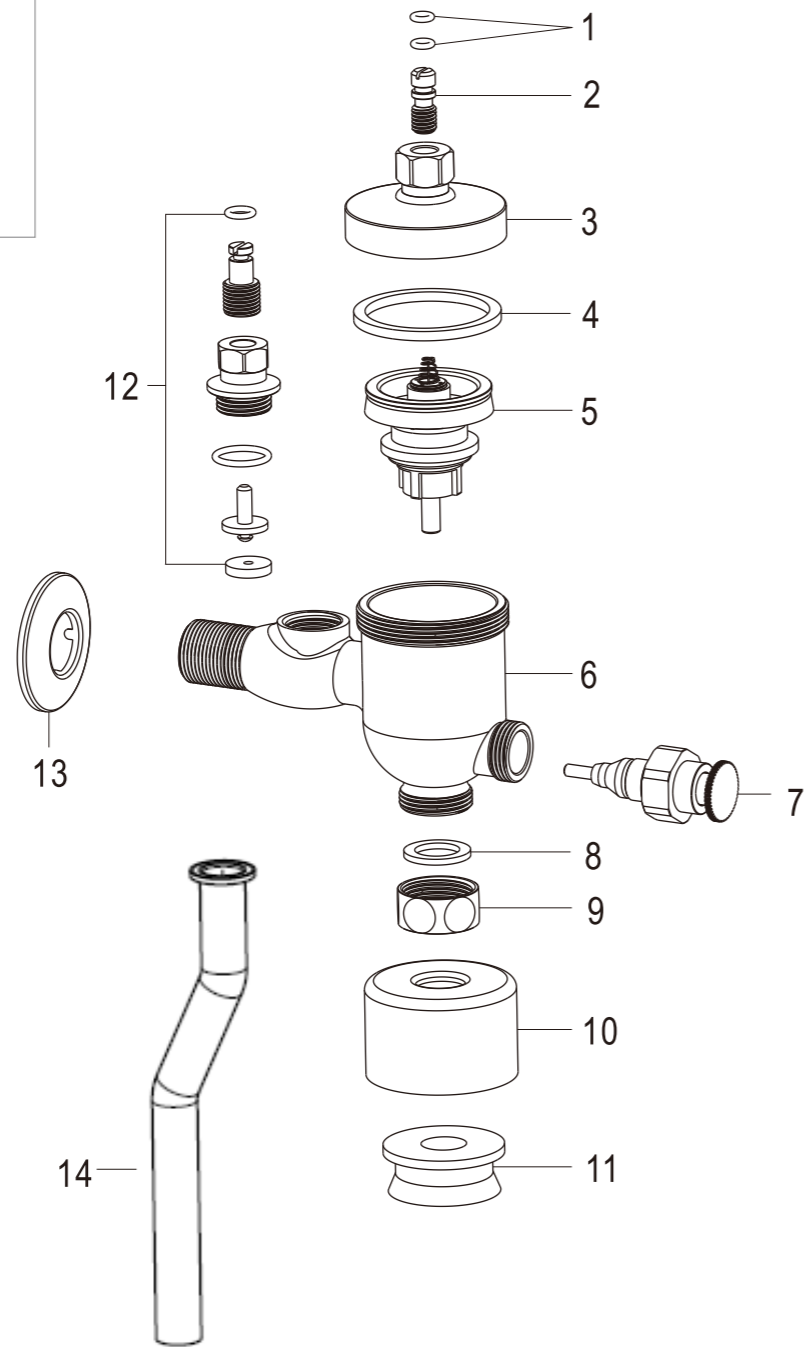
Dimension

Unit: mm



Parts List

Parts List		
No.	Part Name	Q'ty
1	O-Ring	1
2	Screw	1
3	Cap	1
4	Washer	1
5	Control Valve	1
6	Body	1
7	Switch Valve	1
8	Washer	1
9	Nut	1
10	Escutcheon	1
11	Washer	1
12	Stop Valve	1
13	Escutcheon	1
14	Outlet Pipe	1



Installation

